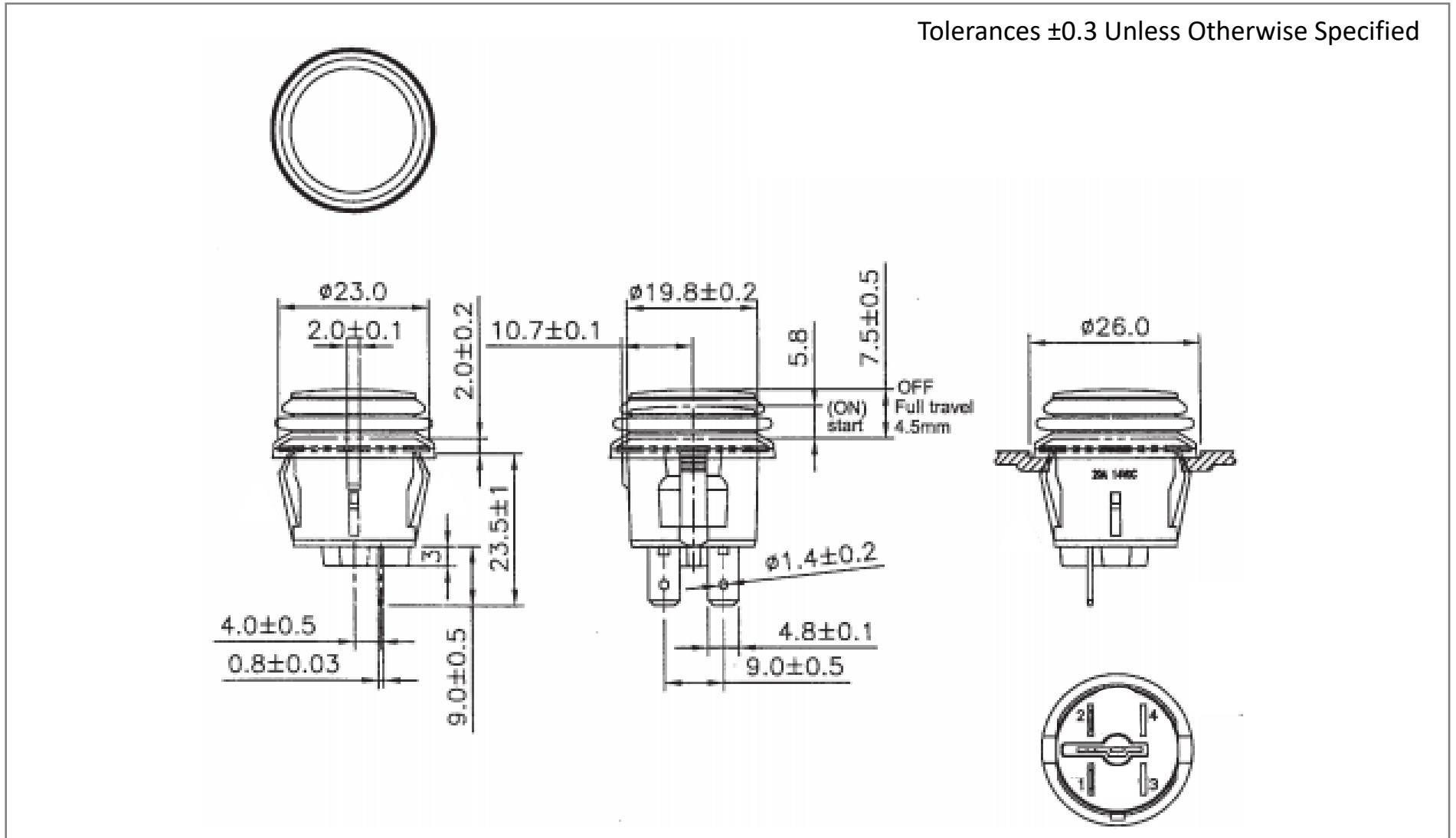
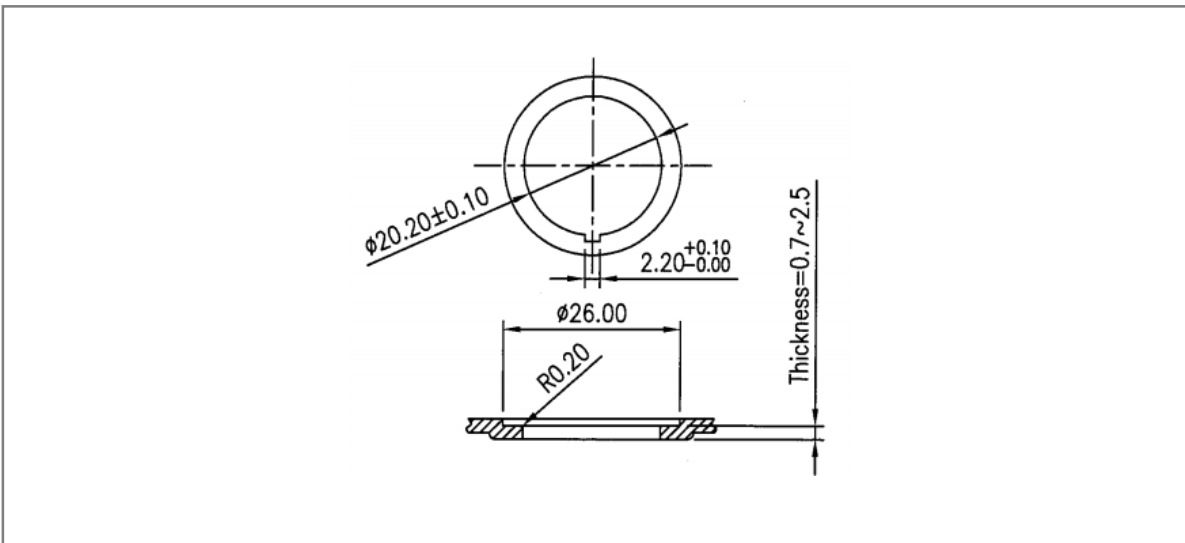


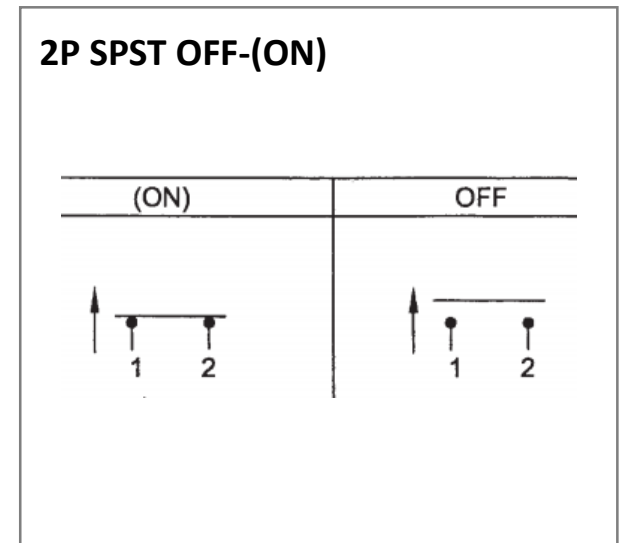
Mechanical Dimensions (mm)



Mounting Hole



Circuit Diagram



Electrical Specifications

<b>Rating</b>	20A 14V DC, 10A 28V DC
<b>Contact Resistance</b>	50m ohm Max.
<b>Insulation Resistance</b>	DC 500V 100M ohm Min.
<b>Dielectric Strength</b>	AC 1500V 1 minute
<b>Operation Temperature</b>	-25°C~85°C

Material Specifications

<b>Frame</b>	Black, Nylon 66 (94-V2)
<b>Actuator</b>	Black, PC (94-V2)
<b>Terminals</b>	Silver plated, Copper alloy
<b>Waterproof Rubber</b>	Black, Silicone
<b>Waterproof</b>	IP65