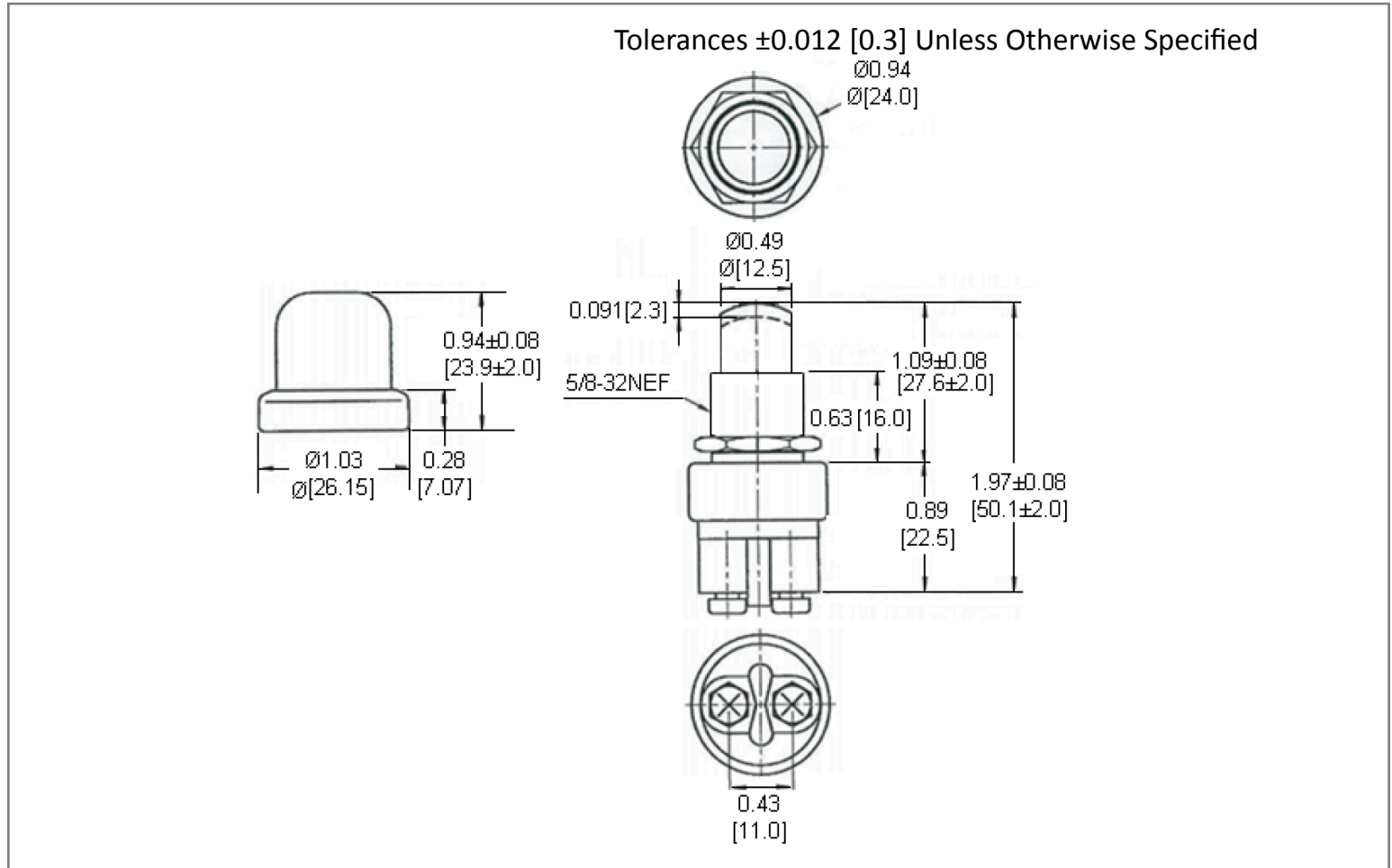
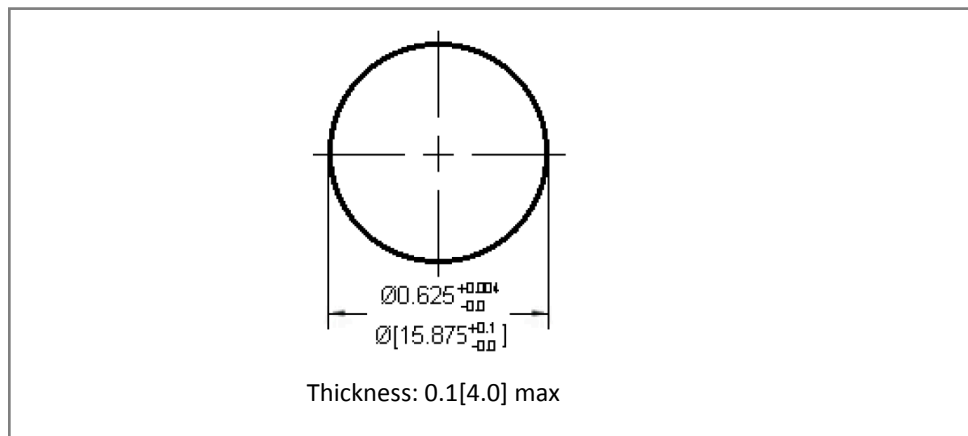


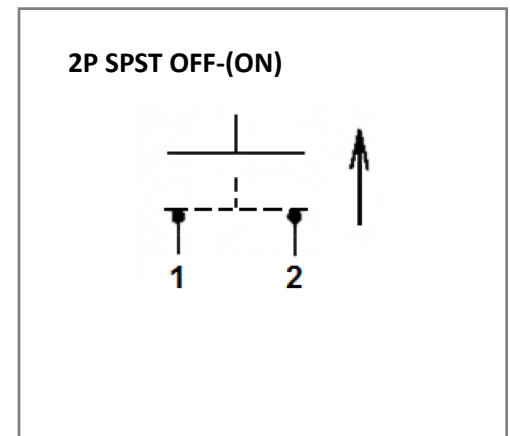
Mechanical Dimensions: Inches [mm]



Mounting Hole



Circuit Diagram



Electrical Specifications

Rating	60A 12V DC
Contact Resistance	50m ohm Max
Insulation Resistance	DC 500V 100M ohm Min
Dielectric Strength	AC 1500V 1 minute
Operation Temperature	-20°C ~ 85°C

Material Specifications

Frame	Heavy duty die cast construction
Cover	Rubber boot seal (Black EPDM material)
Terminals	Copper alloy (Brass)

Starter Switch

SB-1B-DC-3-B



Rev	Date of issue	Revision Notes	Designed	Approved
A	02-11-2019	Initial Drawing	RC	OH