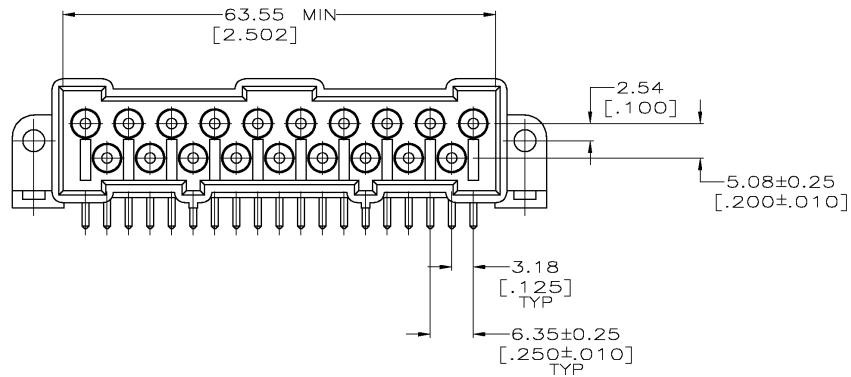
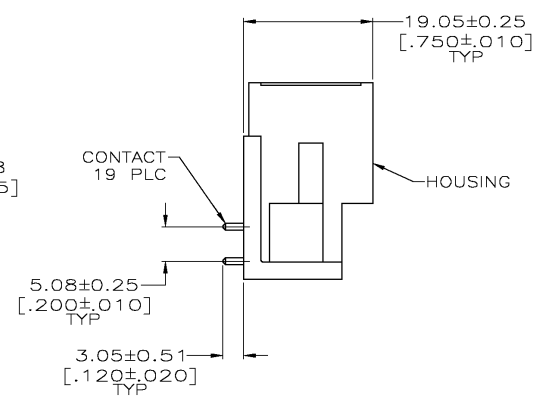
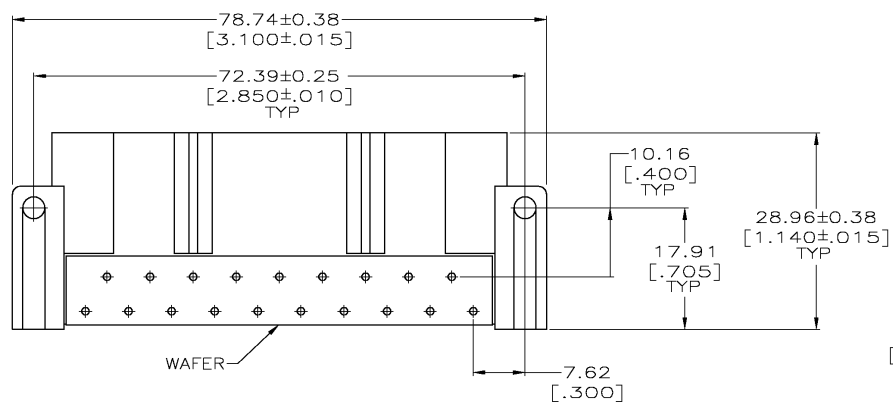


THIS DRAWING IS UNPUBLISHED. RELEASED FOR PUBLICATION
 BY TYCO ELECTRONICS CORPORATION. ALL RIGHTS RESERVED.

LOC		DIST		REVISIONS			
P	LT	DESCRIPTION	DATE	DWN	APPD		
	K	REVISED PER 0G3B-0354-04	4/23/04	SS	GS		



- △ NYLON, UL 94V-0 RATED, NATURAL (RED).
- △ PLASTIC LAMINATED SHEET.
- △ BRASS.
- △ 3.81μm [.000150] TIN-LEAD OVER COPPER.
- △ .000150 LEAD FREE TIN OVER CU.



△ 5	208099-3
△ 4	208099-1
PLATING	PART NO

THIS DRAWING IS A CONTROLLED DOCUMENT.		DWN L SIPE	05/13/92	Tyco Electronics Corporation Harrisburg, Pa
DIMENSIONS: INCHES		CHK W LENKER	5-14-92	
TOLERANCES UNLESS OTHERWISE SPECIFIED:		APD A TRAVIS	5-14-92	NAME HEADER ASSEMBLY, PIN, 19 POSN, METRIMATE
0 PLC ± -		PRODUCT SPEC	-	
1 PLC ± -		APPLICATION SPEC	-	
2 PLC ± 0.13 [.005]		WEIGHT	-	
3 PLC ± -		SIZE	A2	EAGE CODE 00779
4 PLC ± -		DRAWING NO	208099	
ANGLES ± -		CUSTOMER DRAWING	SCALE 2:1	RESTRICTED TO
MATERIAL HOUSING: 1	FINISH CONTACTS: 4	SHEET 1 OF 1		REV K