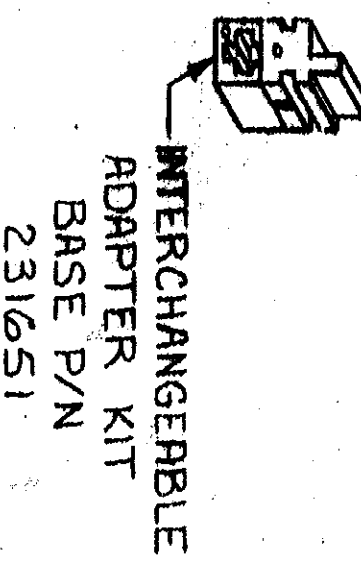
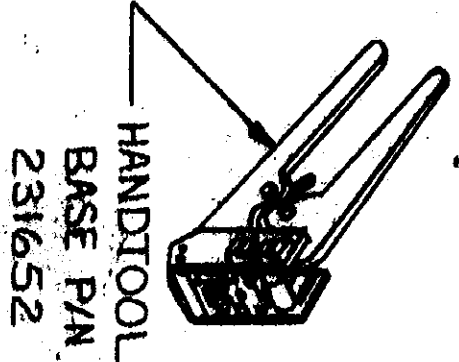
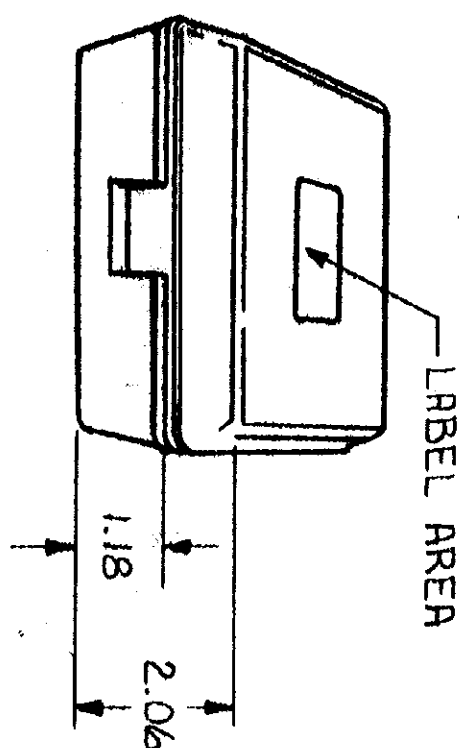
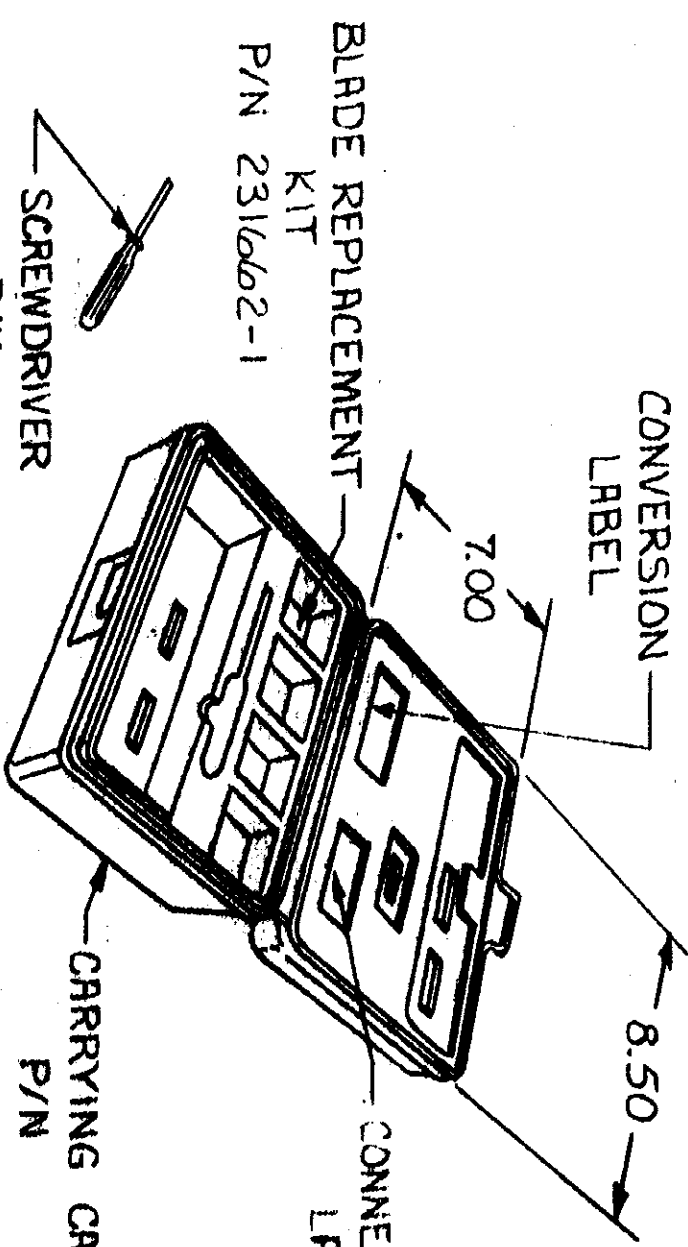


THIS DRAWING IS UNPUBLISHED. RELEASED FOR PUBLICATION  
 © COPYRIGHT 19 BY AMP INCORPORATED, HARRISBURG, PA. ALL INTERNATIONAL RIGHTS RESERVED. AMP PRODUCTS MAY BE COVERED BY U.S. AND FOREIGN PATENTS AND/OR PATENTS PENDING.

1. ALL KITS INCLUDE THE FOLLOWING:
  - (1) SMALL SCREWDRIVER;
  - (1) BLADE REPLACEMENT KIT; AND
  - (1) INSTRUCTION SHEET
2. PARTS MAY BE OBTAINED SEPARATELY.
3. ALL DIMENSIONS SHOWN ARE FOR REFERENCE ONLY.



REV	DATE	APPROVED
1	6/23/85	K5

DESCRIPTION	PART NO
CARRYING CASE WITH BLADE REPLACEMENT KIT AND SCREWDRIVER	231666-9
KIT WITH 8-POSITION LINE HANDTOOL AND 6-POSITION UNDERCARPET ADAPTER KIT	231666-8
KIT WITH 8-POSITION LINE HANDTOOL AND 6-POSITION LINE ADAPTER KIT	231666-7
KIT WITH 8-POSITION LINE HANDTOOL; 6-POSITION LINE ADAPTER KIT AND 4-POSITION HANDSET ADAPTER KIT	231666-6
KIT WITH 8-POSITION LINE HANDTOOL; 6-POSITION LINE ADAPTER KIT; 4-POSITION HANDSET ADAPTER KIT, AND 6-POSITION UNDERCARPET ADAPTER KIT	231666-5
KIT WITH 6-POSITION UNDERCARPET HANDTOOL	231666-4
KIT WITH 4-POSITION HANDSET HANDTOOL	231666-3
KIT WITH 6-POSITION LINE HANDTOOL	231666-2
KIT WITH 8-POSITION LINE HANDTOOL	231666-1

UNLESS OTHERWISE SPECIFIED DIMENSIONS ARE IN INCHES. TOLERANCES ON: DECIMALS ± ANGLES		CONTRACT NO	
MATERIAL		DR 6-27-85	
FINISH		CHK 6/23/85	
APPROVED 6/23/85		APPROVED 6/23/85	
APPROVED 7-1-85		APPROVED 7-1-85	
OTHER APPRO		OTHER APPRO	
NAME		AMP INCORPORATED	
MODULAR PLUG		HARRISBURG, PA. 17105	
HANDTOOL KIT		DRAWING NO	
SIZE		231666	
SCALE NONE		SHEET 1 OF 1	

CUSTOMER DRAWING