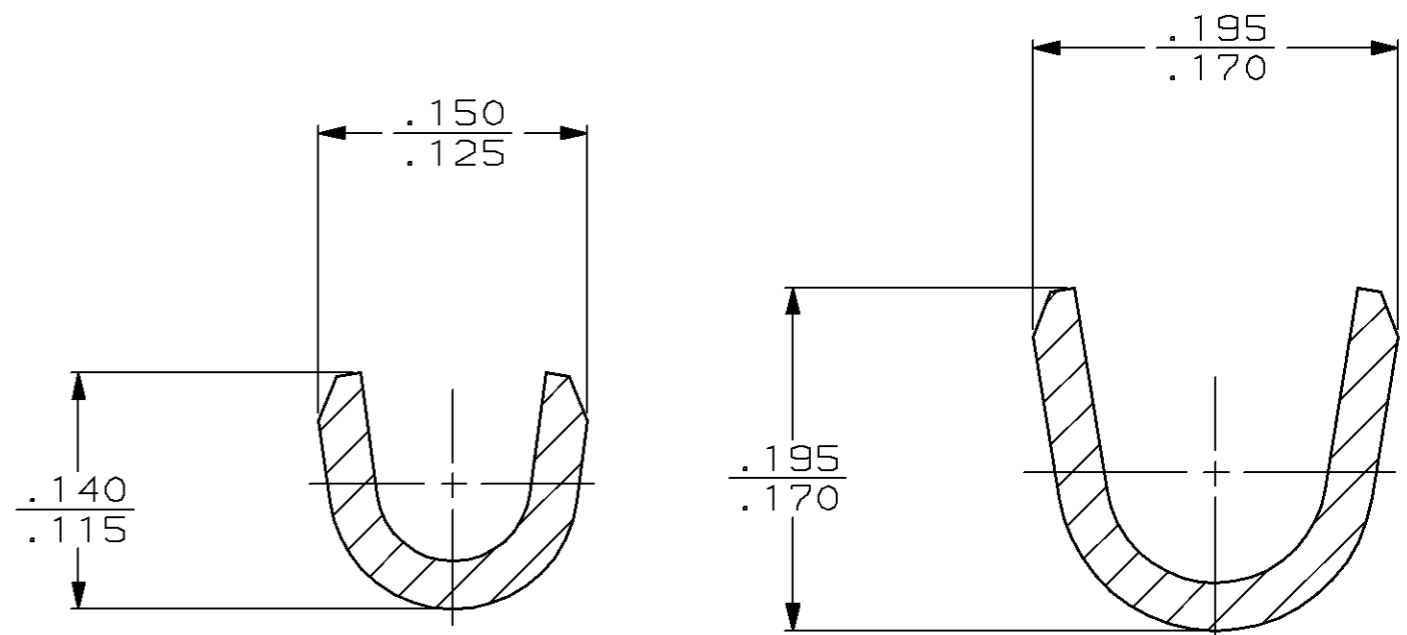
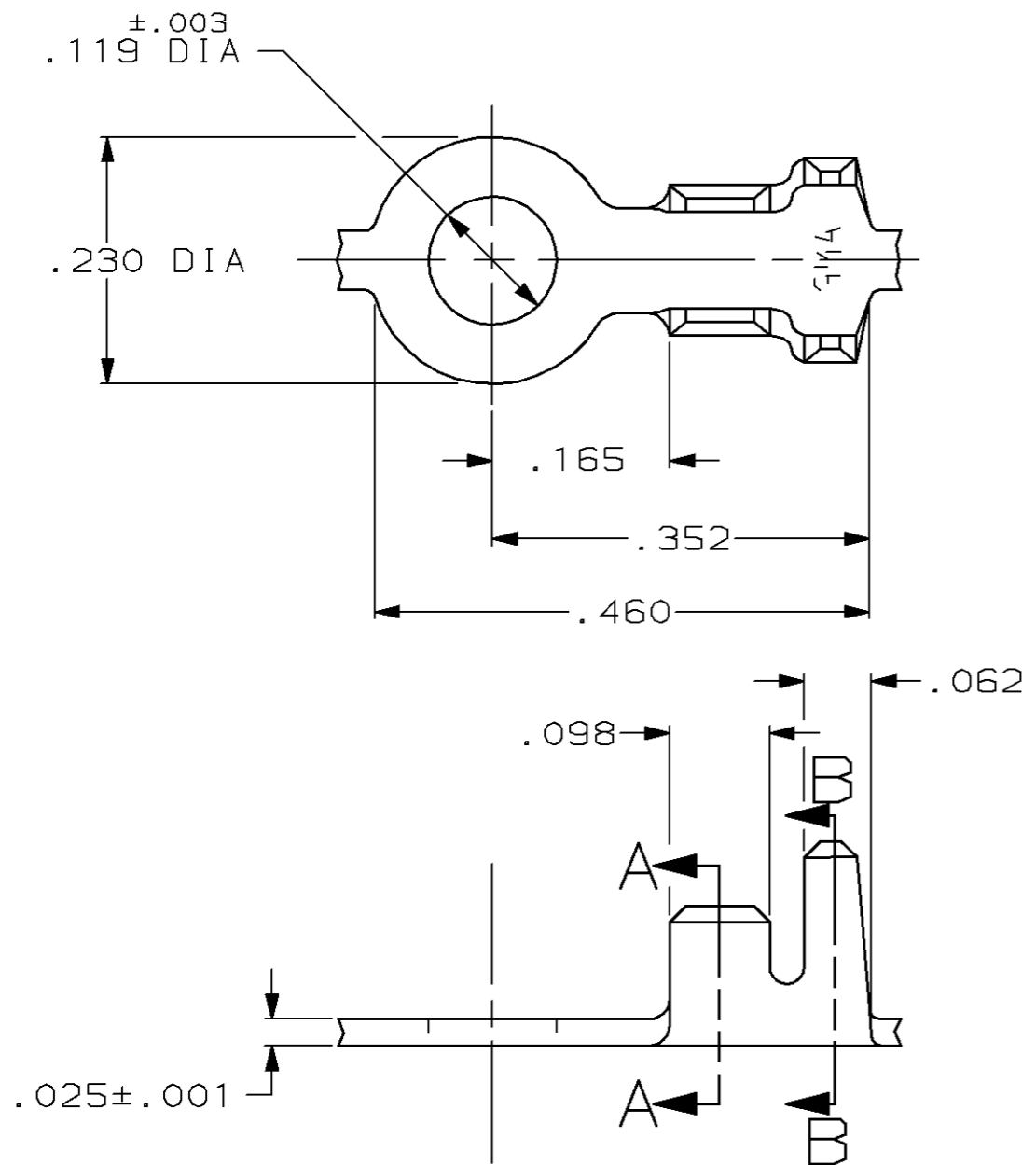


THIS DRAWING IS UNPUBLISHED. RELEASED FOR PUBLICATION, 19
 © COPYRIGHT 19 BY AMP INCORPORATED. ALL INTERNATIONAL RIGHTS RESERVED.

LOC	DIST	P	F	ZONE	LTR	REVISIONS	DATE	APPD
AF	50				C	REVISED PER 061A-0211-98	30/JUN/98	PF/DD

1 CONTINUOUS STRIP ON REELS



SECTION A-A
SCALE 10:1

SECTION B-B
SCALE 10:1

	.100-.135 DIA	20-16 AWG	61386-2
.000080 MIN TIN	.100-.135 DIA	20-16 AWG	61386-1
FINISH	INSULATION RANGE	WIRE SIZE	PART NO
DO NOT SCALE PRINT. UNLESS SPECIFIED DIMENSIONS IN INCHES TOLERANCES ON: 2 PLC DEC ± - 3 PLC DEC ± .015 ANGLES ± -	DR 3/21/90 P FORTNEY CHK 3/21/90 JR RUTH APPD 3/21/90 G YETTER APPD 3/21/90 R KUZO PRODUCT SPEC -	AMP AMP INCORPORATED Harrisburg, Pa. 17105 NAME <h1 style="text-align: center;">RING</h1>	
MATERIAL #1 HARD BRASS	APPLICATION SPEC - WEIGHT -		
FINISH SEE TABLE		SIZE B	CAGE CODE 00779
		SCALE 6:1	DRAWING NO 61386
			SHEET 1 OF 1