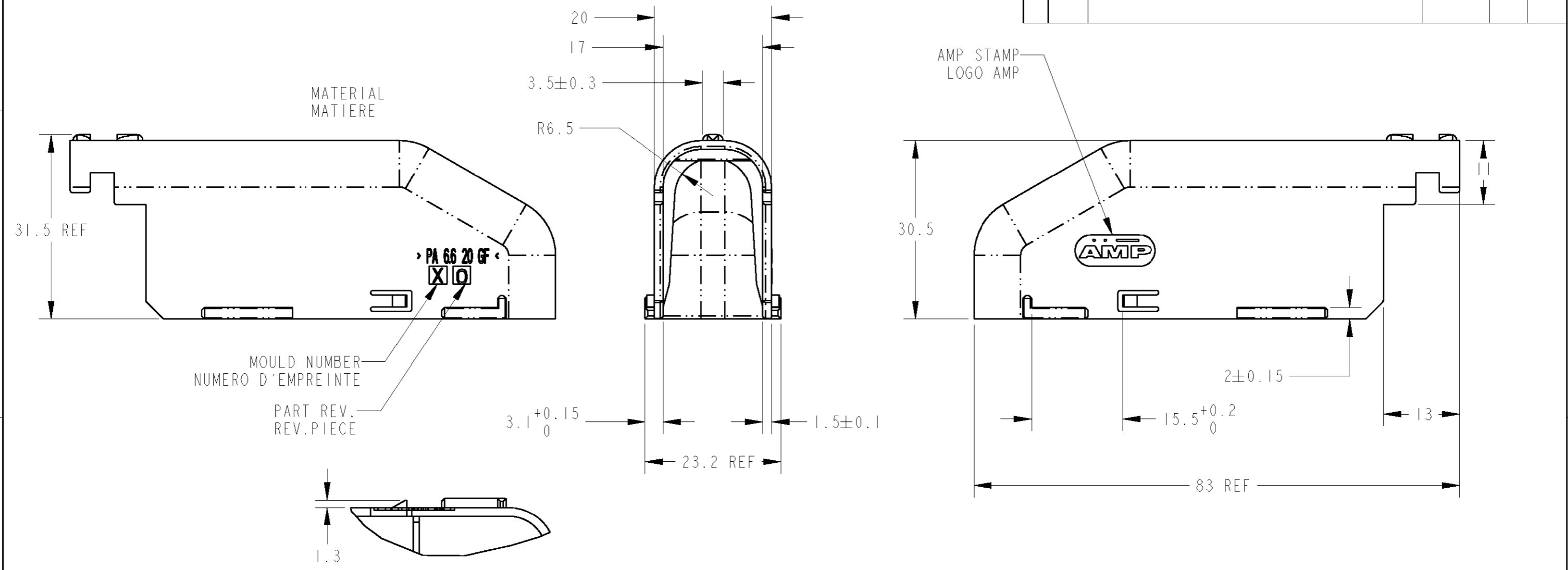


THIS DRAWING IS UNPUBLISHED. RELEASED FOR PUBLICATION .19
 © COPYRIGHT 1997 BY AMP INCORPORATED. ALL RIGHTS RESERVED.

LOC	DIST	REVISIONS					
		P	LTR	DESCRIPTION	DATE	DWN	APVD
F	7		A	PA66 20% FV WAS PA66 25% FV	18SEP 98	RB	-
			B	INCREASE OF LOCKING LATCH HEIGHT 1.3	05JUN2000	DB	JJR



				I	BLACK	PA66 20% GF	HORIZ. COVER
COMPONENT QTY					COLOR	MATERIAL	DESIGNATION
953039-X					MAX. ADMISSIBLE STRAND		
-5	-4	-3	-2	-1	Ø 16 mm		

				I	NOIR	PA66 20% FV	CAPOT HORIZ
QTE COMPOSANT					COULEUR	MATIERE	DESIGNATION
953039-X					TORON MAXI ADMISSIBLE		
-5	-4	-3	-2	-1	Ø 16 mm		

THIS DRAWING IS A CONTROLLED DOCUMENT FOR AMP INCORPORATED. IT IS SUBJECT TO CHANGE AND THE CONTROLLING ENGINEERING ORGANIZATION SHOULD BE CONTACTED FOR THE LATEST REVISION.

DIMENSIONS: mm	TOLERANCES UNLESS OTHERWISE SPECIFIED: ±- ±0.13 ± ±1°	DWN REGIS BONNET MAY 97	AMP DE FRANCE 95301 PONTOISE
		CHK JP. PICAUD 05JUN00	NAME HORIZONTAL COVER FOR 31 WAYS HYBRID TIMER CONNECTOR CAPOT HORIZONTAL POUR CONNECTIQUE 31 V TIMER HYBRIDE
MATERIAL SEE TABLE	FINISH SEE TABLE	APVD JJ. REVII 05JUN00	
CUSTOMER DRAWING		PRODUCT SPEC 108-15172	SIZE A3
		APPLICATION SPEC 411-15599	CAGE CODE 00779
		WEIGHT 8g	DRAWING NO C-953039
		RESTRICTED TO -	SCALE 3:2
			SHEET 1 OF 1
			REV B