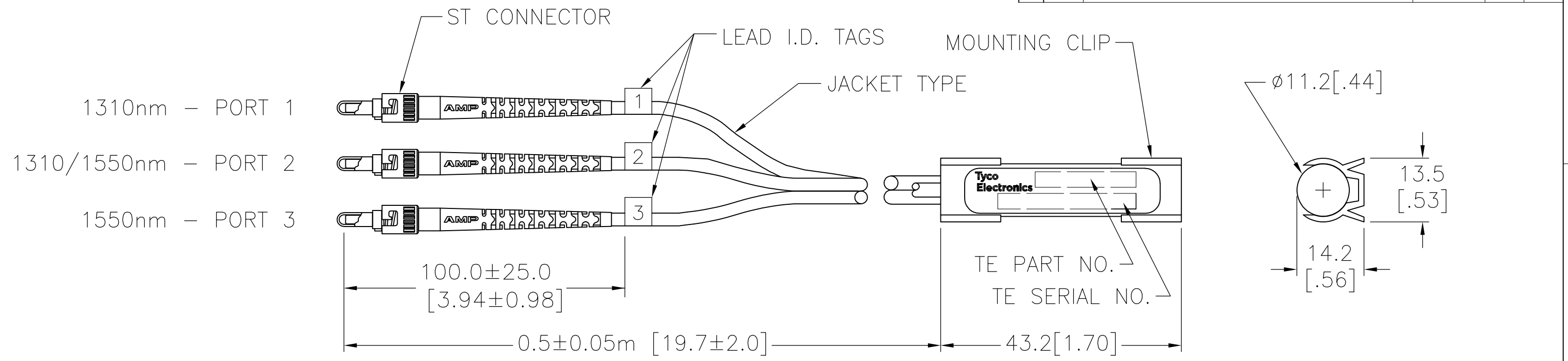


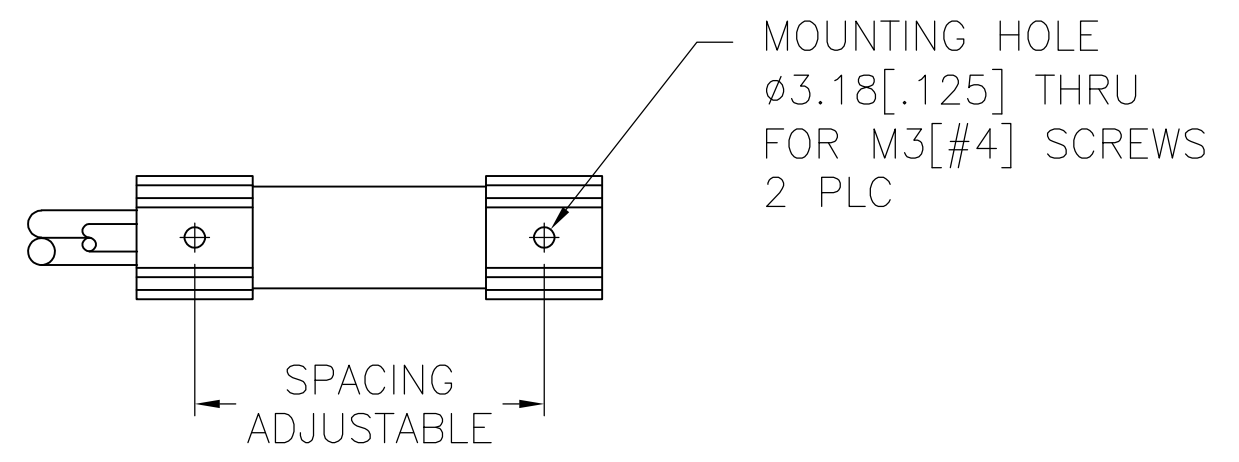
THIS DRAWING IS UNPUBLISHED. RELEASED FOR PUBLICATION  
 © COPYRIGHT BY TYCO ELECTRONICS CORPORATION. ALL RIGHTS RESERVED.

LOC EA	DIST 17	REVISIONS			
P	LTR	DESCRIPTION	DATE	DWN	APVD
	K	ECR 07-031070	02OCT08	LGE	RP



SPECIFICATIONS:

OPTICAL PERFORMANCE PER FOTP 180ro METHOD 2,  
 CLASS B, MEASUREMENT INCLUDES TWO CONNECTORS.  
 INSERTION LOSS: 2.3dB MAX ALL PORTS  
 DIRECTIVITY: 45dB MINIMUM  
 WAVELENGTH BANDPASS: 100nm MINIMUM  
 ISOLATION:>35dB  
 OPERATING TEMPERATURE: -40°C TO +65°C  
 STORAGE TEMPERATURE: -40°C TO +75°C  
 CHANGE IN TRANSMISSION DURING OPERATING TEMPERATURES: +/-0.5dB



PART NUMBER	FIBER TYPE	JACKET TYPE
99105-2	50/125/250	3mm
99105-3	62.5/125/250	3mm
9-99105-2	50/125/250	900µm
9-99105-3	62.5/125/250	900µm

THIS DRAWING IS A CONTROLLED DOCUMENT.		DWN D. HEINZ 14DEC94	Tyco Electronics Corporation Harrisburg, PA 17105			
DIMENSIONS: MM [INCHES]	TOLERANCES UNLESS OTHERWISE SPECIFIED:	CHK A. McCLISH 15DEC96	NAME			
	0 PLC ± - 1 PLC ± 1.0 [.04] 2 PLC ± 0.38 [.015] 3 PLC ± - 4 PLC ± - ANGLES ± 2'	APVD A. McCLISH 15DEC96	WDM, MUX OR DEMUX, 1310/1550nm			
MATERIAL	FINISH	PRODUCT SPEC	SIZE	CAGE CODE	DRAWING NO	RESTRICTED TO
-	-	-	A3	00779	C-99105	-
CUSTOMER DRAWING			SCALE	SHEET	OF	REV
			1:1	1	1	K