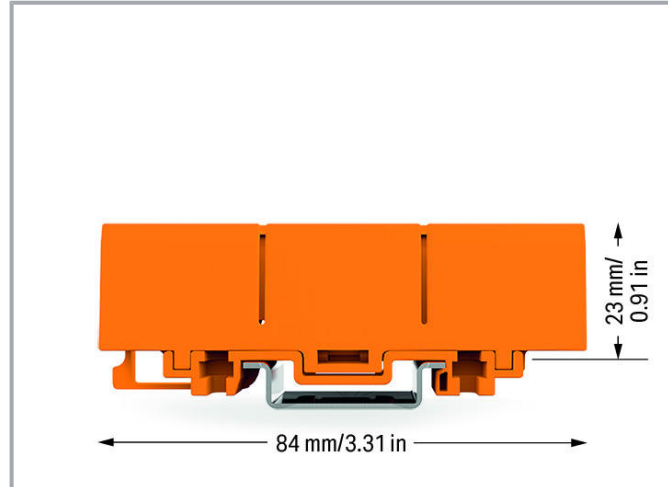
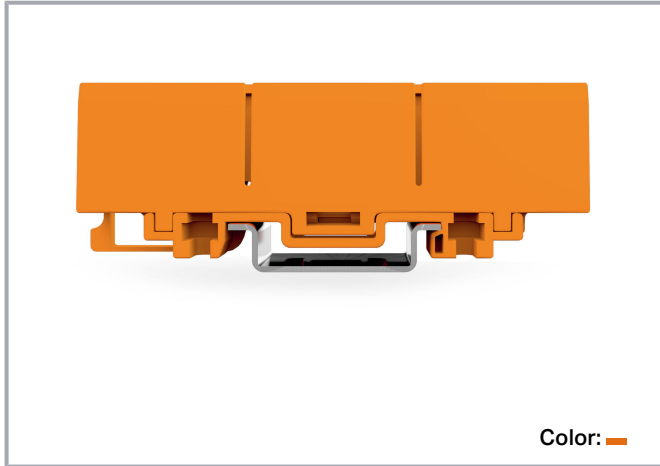


Data sheet | Item number: 2773-500

Mounting carrier; for single- and double-row con.; 2773 Series; for DIN-35 rail mounting/screw mounting; orange

www.wago.com/2773-500



Data Notes

Note

One single carrier can hold up to 30 clamping units in a very narrow space. Previously, this was only possible using rail-mount terminal blocks.

Additional benefits:

- Mount carrier onto DIN-35 rail or via screws – easily and quickly
- Accommodate three 4 mm² (12 AWG) 2273 Series Connectors in a single carrier
- Easily exchange connectors
- Large marking area for self-adhesive marking strips or for direct marking with permanent felt-tip pen

Physical data

Width	18 mm / 0.709 inch
Height	84 mm / 3.307 inch
Depth from upper edge of DIN-rail	23 mm / 0.906 inch

Subject to changes. Please also observe the further product documentation!

WAGO Corporation
Germantown, WI 53022
Phone: 1-800-DIN-RAIL (346-7245) | Fax: (262) 255-6222
Email: info.us@wago.com | Web: www.wago.us

Do you have any questions about our products?
We are always happy to take your call at (262) 255-6222 or 1 800-DIN-RAIL.

Mechanical data

Mounting type	DIN-35 rail Screw mount
Suitable	for single- and double-row connectors (2773 Series)

Material data


Color	orange
Weight	12.6 g

Commercial data

PU (SPU)	50 (10) Stück
Packaging type	box
Country of origin	CN
GTIN	4055143837439
Customs tariff number	3926909985

Optional accessories

Marking accessories

Marking strip		
	Item no.: 210-834 Marking strips; on reel; 5 mm wide; plain; Self-adhesive; white	www.wago.com/210-834

Downloads

Documentation

Additional Information

Technical explanations	Apr 3, 2019	pdf 2.2 MB	Download
------------------------	-------------	---------------	----------

Environmental Product Compliance

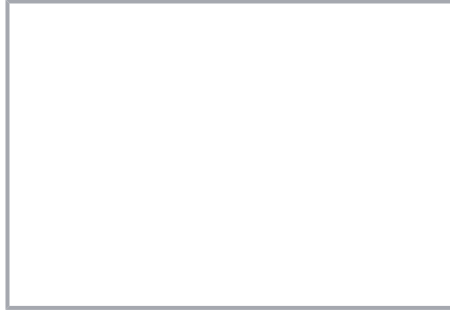
Compliance Search

Environmental Product Compliance 2773-500	URL	Download
Mounting carrier; for single- and double-row con.; 2773 Series; for DIN-35 rail mounting/screw mounting; orange		

Subject to changes. Please also observe the further product documentation!



Installation Notes



To adjust the mounting carrier, unlock the latch via operating tool (5.5 mm blade) and move the clamping slide to the required width by rotating the tool.



The mounting carrier is suitable for both connector widths.

Subject to changes. Please also observe the further product documentation!