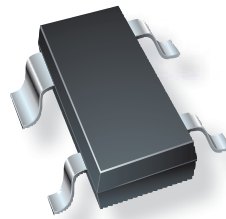


## Featured Products Bulletin

### CHIP DIODES

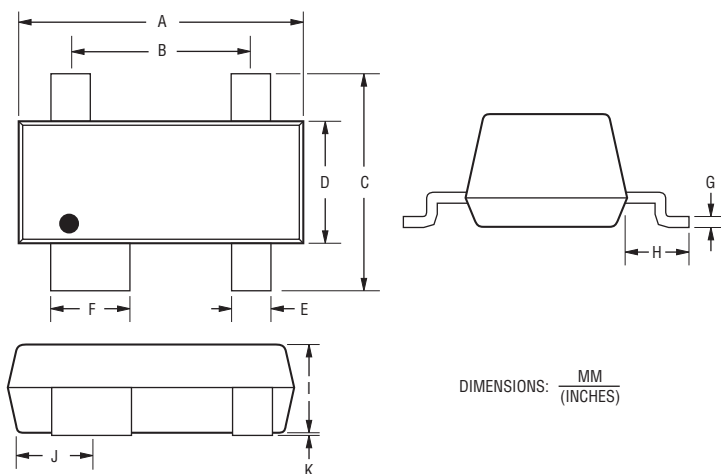


March, 2015

## Changes to Package Body, Carrier Tape/Reel Dimensions and Tolerances for Model CD143A-SR05LC Steering/TVS Diode Array Series

Due to the addition of an alternate assembly location in February, 2014 ([ESD1315](#)), differences in process tolerances observed in 2014 have necessitated an update to the specified package body, carrier tape and reel dimensions.

The dimensions of the package body and carrier tape have been modified by up to 0.1 mm, and the reel outer diameter tolerance modified by up to 2 mm.



Dim.	Before	After
C	$\frac{2.11 - 2.48}{(0.083 - 0.098)}$	$\frac{2.11 - 2.55}{(0.083 - 0.100)}$
D	$\frac{1.2 - 1.39}{(0.047 - 0.055)}$	$\frac{1.2 - 1.4}{(0.047 - 0.055)}$
E	$\frac{0.39 - 0.50}{(0.015 - 0.020)}$	$\frac{0.35 - 0.5}{(0.014 - 0.020)}$
F	$\frac{0.79 - 0.93}{(0.031 - 0.037)}$	$\frac{0.76 - 0.93}{(0.030 - 0.037)}$
G	$\frac{0.08 - 0.15}{(0.003 - 0.006)}$	$\frac{0.08 - 0.18}{(0.003 - 0.007)}$

Figure 1 - Model [CD143A-SR05LC](#) Package Body Dimensions

~ continued on page 2 ~

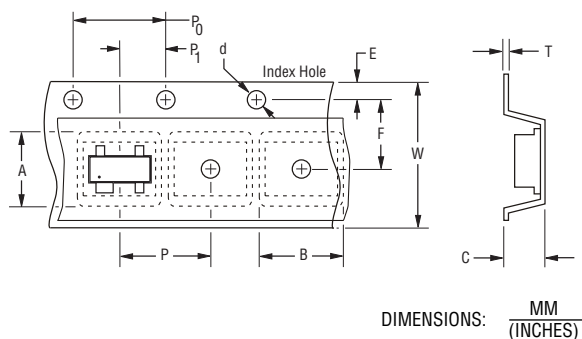


Figure 2 - Carrier Tape Dimensions

Dim.	Before	After
A	$\frac{2.75 \pm 0.10}{(0.108 - 0.004)}$	$\frac{2.80 \pm 0.15}{(0.110 - 0.006)}$
B	$\frac{3.30 \pm 0.10}{(0.130 - 0.004)}$	$\frac{3.25 \pm 0.15}{(0.128 - 0.006)}$
C	$\frac{1.25 \pm 0.10}{(0.049 - 0.004)}$	$\frac{1.25 \pm 0.15}{(0.049 - 0.006)}$
d	$\frac{1.55 \pm 0.05}{(0.061 - 0.002)}$	$\frac{1.5 \pm 0.10}{(0.059 - 0.004)}$
F	$\frac{3.50 \pm 0.05}{(0.138 - 0.002)}$	$\frac{3.50 \pm 0.10}{(0.138 - 0.004)}$
P <sub>0</sub>	$\frac{4.00 \pm 0.10}{(0.157 - 0.004)}$	$\frac{4.00 \pm 0.20}{(0.157 - 0.008)}$
P <sub>1</sub>	$\frac{2.00 \pm 0.05}{(0.079 - 0.002)}$	$\frac{2.00 \pm 0.10}{(0.079 - 0.004)}$

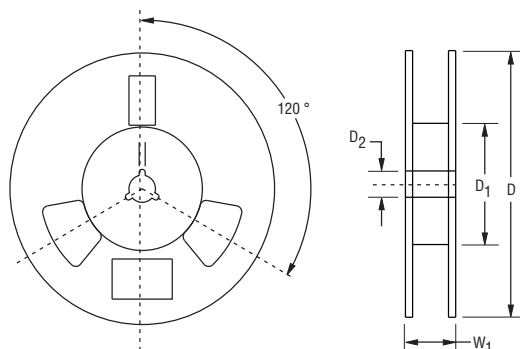


Figure 3 - Reel Dimensions

Dim.	Before	After
D	$\frac{178}{(7.008)}$	$\frac{178 \pm 2}{(7.008 \pm 0.079)}$

DIMENSIONS:  $\frac{\text{MM}}{\text{(INCHES)}}$

### Impact on Form, Fit, Function, Reliability and Quality

This update does not impact the function, reliability or the electrical characteristics of the product. While there is a dimensional change, the product will continue to fit on the previous recommended footprint so Bourns considers the update not to affect the form of the product from a practical standpoint. Part markings and labeling are unchanged.

### Implementation Dates

First date code using above changes: **1509**

First production shipments: **March 1, 2015**

If you have any questions or need additional information, please feel free to contact [Customer Service/ Inside Sales](#).