

## Product Change Notice

Issue Date: 26-May-2021

**Change Description:**

New dice replacement for Surface Mount Display

**Parts Affected:**

HDSM-281C  
HDSM-281F  
HDSM-281H-LM000  
HDSM-281H  
HDSM-281L  
HDSM-283C  
HDSM-283F  
HDSM-283H-LM000  
HDSM-283H  
HDSM-283L  
HDSM-291C  
HDSM-291F  
HDSM-291H  
HDSM-291L  
HDSM-293C  
HDSM-293F  
HDSM-293H  
HDSM-293L  
HDSM-431C  
HDSM-431F  
HDSM-431H-MN000  
HDSM-431H  
HDSM-431L  
HDSM-433C  
HDSM-433F  
HDSM-433H  
HDSM-433L  
HDSM-441C  
HDSM-441F  
HDSM-441H  
HDSM-441L  
HDSM-443C  
HDSM-443F  
HDSM-443H  
HDSM-443L  
HDSM-531C  
HDSM-531F  
HDSM-531H-MN000

HDSM-531H  
 HDSM-531L  
 HDSM-533C  
 HDSM-533F  
 HDSM-533H  
 HDSM-533L  
 HDSM-541C  
 HDSM-541F  
 HDSM-541H-MN000  
 HDSM-541H  
 HDSM-541L  
 HDSM-543C  
 HDSM-543F  
 HDSM-543H  
 HDSM-543L  
 QDSM-381C  
 QDSM-781C  
 QLCP-K003  
 QLCP-S001

**Description and Extent of Change:**

The new dice will replace the current dice for all affected part numbers.

**Reasons for Change:**

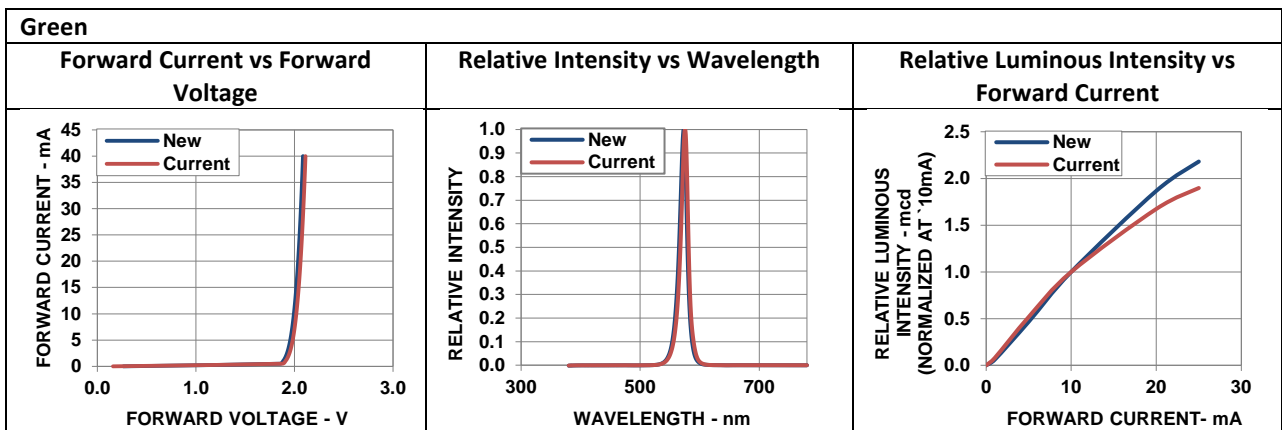
Supply of assurance.

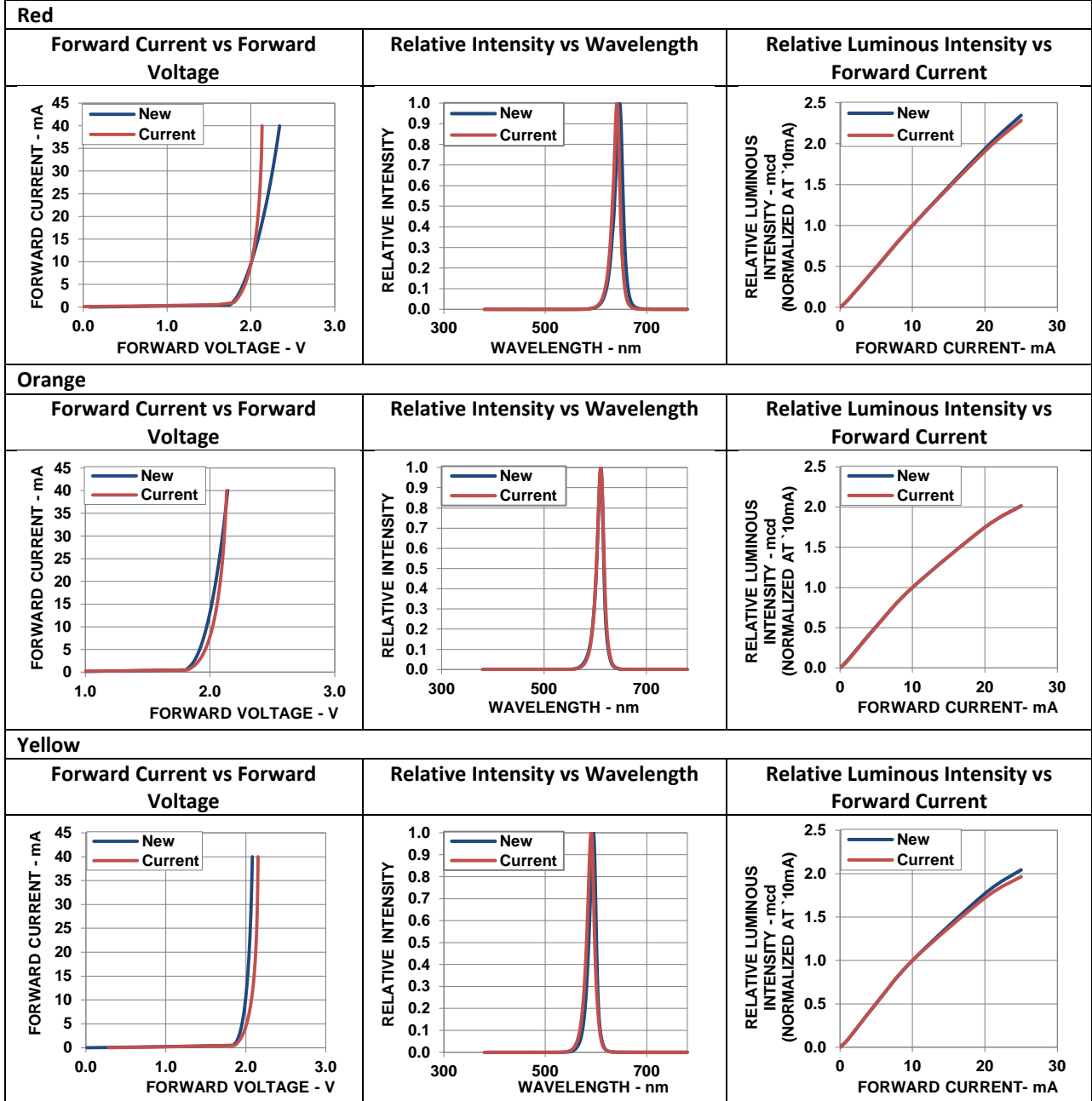
**Effect of Change on Fit, Form, Function, Quality, or Reliability:**

There is no change in the product fit.

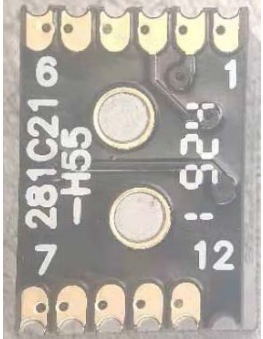


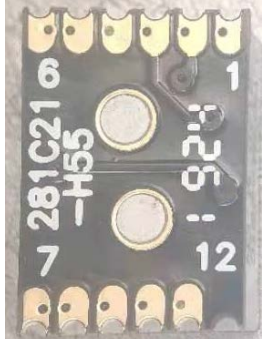




Following are changes in product characteristic:

1. Forward Voltage vs Forward Current
2. Relative Intensity vs Wavelength
3. Relative Intensity vs Forward Current





For HDSM-28xC & HDSM-29xC, there is PCB layout change as illustrated below:

Part	Current (bottom view)	New (bottom view)
HDSM-281C		
HDSM-283C		
HDSM-291C		
HDSM-293C		

**Effective Date of Change:**

Shipment may contain product from current dice and new dice starting 27<sup>th</sup> Aug 2021 until the inventory of current dice is fully depleted. There will be no mixed dice within the same reel.

**Part identification:**

*Label for current dice*



*Label for new dice*



Prefix “D” will be added to the Lot number after PCN Change.

**Qualification Data:**

Qualification Vehicle: HDSM-281C, HDSM-431H, HDSM-441L

Reliability Test	Stress Condition	Result
Temperature Cycle	-40°C / 105°C; 15   5   15min	100x (PASSED)
Temperature Humidity Operating Life	85°C/85%RH; 10mA	1000hrs (PASSED)
High Temperature Operating Life	55°C; 17mA	1000hrs (PASSED)
Temperature Humidity Storage Life	85°C/85%RH	1000hrs (PASSED)
Low Temperature Operating Life	-40°C; 25mA	1000hrs (PASSED)

Please contact your Broadcom field sales engineer or Contact Center for any questions or support requirements. Please acknowledge the receipt of the notice within 30 days of delivery. Lack of acknowledgement within 30 days constitutes acceptance of the change per JEDEC J-STD-046.