

**M/A-COM Technology Solutions Inc.**  
1500 Hughes Way, Suite C-100  
Long Beach, California 90810  
www.macomtech.com



May 18<sup>th</sup>, 2016

Digi-Key Corporation  
701 Brooks Ave South.  
Thief River Falls, Minnesota 56701

ATTN: Quality/Purchasing Manager

**Subject: NPTB00025AB/NPTB00025B manufacturer change**

**PCN #:** PCN-00874

Dear Valued Customer,

Please accept this letter as formal notification that MACOM Technology Solutions (MACOM) recently moved NPTB00025AB/NPTB00025B volume production to Hana Semiconductor (Ayutthaya) Co., Ltd.

Extensive qualification tests have been conducted by MACOM and proved NPTB00025AB/NPTB00025B manufactured in Hana Semiconductor (Ayutthaya) Co., Ltd. meet MACOM reliability requirements. This manufacturer change is deemed acceptable and will have no effect in the form, fit, function, or reliability of NPTB00025AB/NPTB00025B. Please refer to appendix for details.

You are receiving this notification because you have purchased one or both of the MACOM products subject to this change within past two years.

Should you have any questions or concerns in respect to this change please do not hesitate to contact me immediately for discussion.

Sincerely,

**Zhuyi Wang**  
Principal Quality Assurance Engineer  
M/A-COM Technology Solutions, Inc.  
Tel: +1-310-357-2414  
E-mail: [zhuyi.wang@macomtech.com](mailto:zhuyi.wang@macomtech.com)

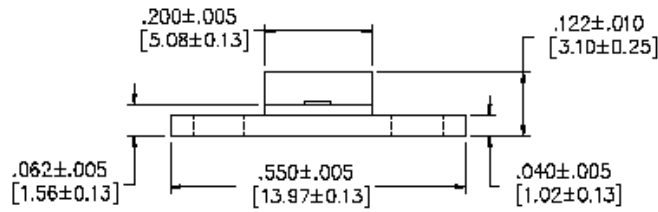
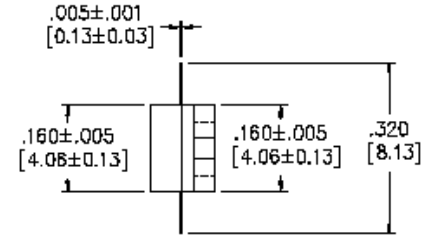
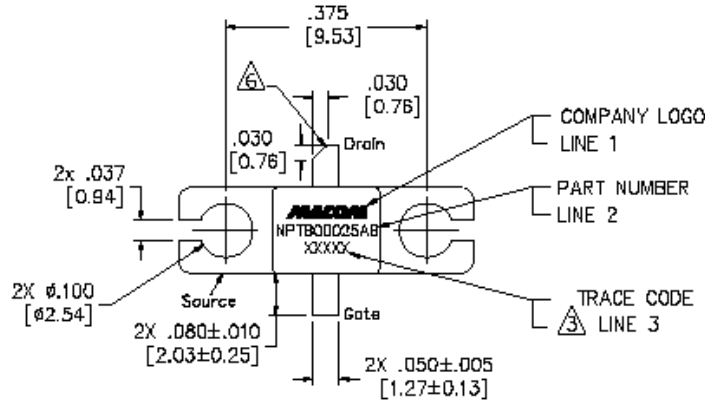
**Qualification results quoted from QTR-0271**

**Qualification Vehicle:** NPTB00025AB  
**Lot Number:** Qual lot #038

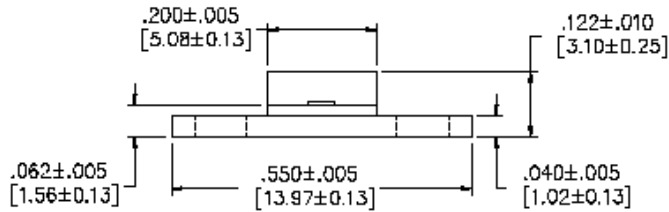
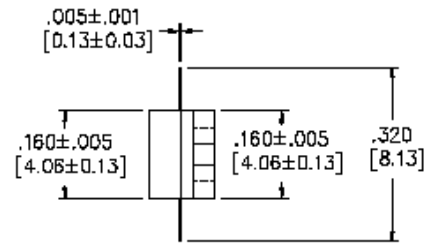
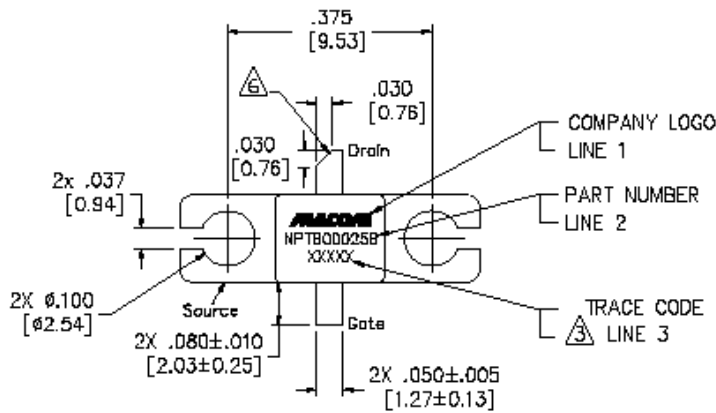
**Qualification Tests**

Test	Specification	Fails/SS	Result
DC Electrical Test	Refer to NPTB00025 Test Plan	0/22	PASS
Temperature Cycling	MIL-STD-750, Method 1051, Condition F, 500 Cycles	0/22	PASS
Hermetic Seal	MIL-STD-750, Method 1071, Condition D	0/22	PASS
Shock	MIL-STD-750, Method 2016, Non-operating, 1500g, 0.5ms, 5 blows in each orientation X1, Y1, Z1	0/22	PASS
Vibration, Variable Frequency	MIL-STD-750, Method 2056, Constant peak acceleration, 20g	0/22	PASS
Constant Acceleration	MIL-STD-750, Method 2006, 1 minute minimum in y1 only, 10,000g minimum, TC=25C	0/22	PASS
Moisture Resistance	MIL-STD-750, Method 1021, except skipping initial conditioning	0/22	PASS
Salt Atmosphere	MIL-STD-750, Method 1041	0/6	PASS
Bond Strength	MIL-STD-750, Method 2037, Condition D	0/3 (11 wires)	PASS
Solderability Test	MIL-STD-750, Method 2026	0/5	PASS
Terminal Strength	Refer to PT-0006233_B, P-257 Package Drawing	0/7	PASS
Die Attach Verification	DC-0008653, NPTB00025AB Assembly Drawing	0/13	PASS

**Outline drawing of affected products**



**NPTB00025AB**



**NPTB00025B**