

## PCN – Process Change Notification

Change:	WLP.2450.25.4.A.02
Date:	2016/08/16
Author	Bonnie Chen

### Affected Products

Model#	Part Number	Changes
WLP.25 Patch Antenna	WLP.2450.25.4.A.02	Packaging rules changing.
		Add Part no.
		Amend length of pin from 2.25mm to 2.27mm.
		Amend Dimensions and Tolerance.

### Type of Change

- Hardware Modification  
 Production Process Advance  
 Others – Packaging Rules Changing
- 

### Description of Change

1. Due to Taoglas will input Barcode tracking process, we need to amend the packaging rules and labelling on barcode labels on standard packaging quantity bag and cartons.
2. Amend part no. on bom.
3. Amend length of pin from 2.25mm to 2.27mm
4. Amend Patch Size from 25x25mm to 25.1x25.1mm
5. Amend Tolerance.

### Schedule

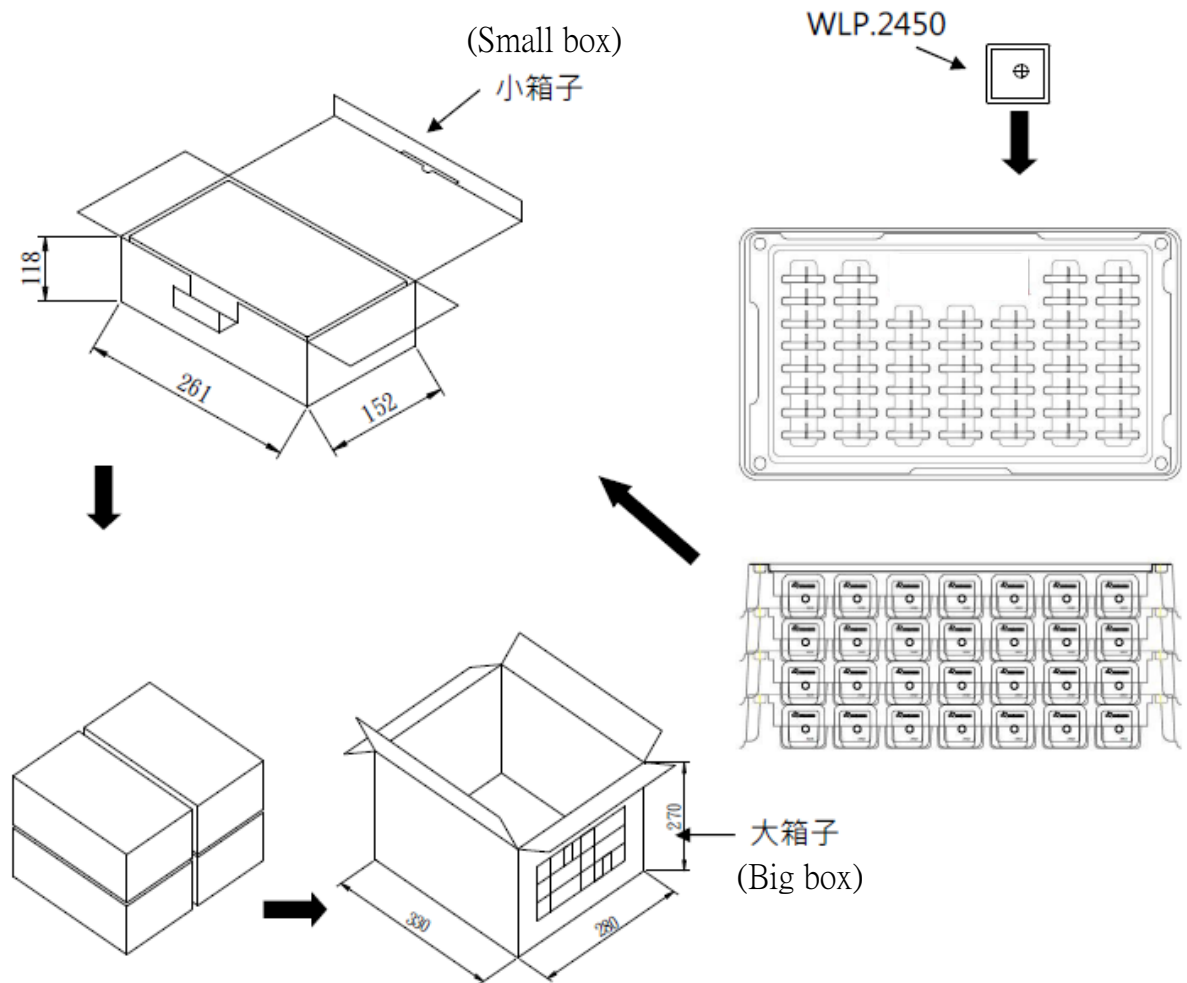
2016, August, Taoglas will input this new packaging rules into production.

### Forecast Estimated Transition Date

**Aug/2016**

**Illustration of Change**

**Old packaging rules**

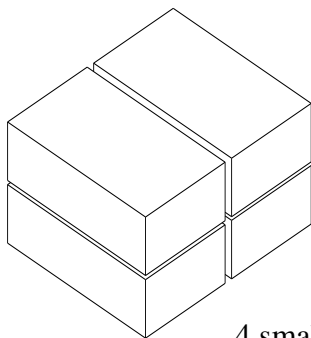
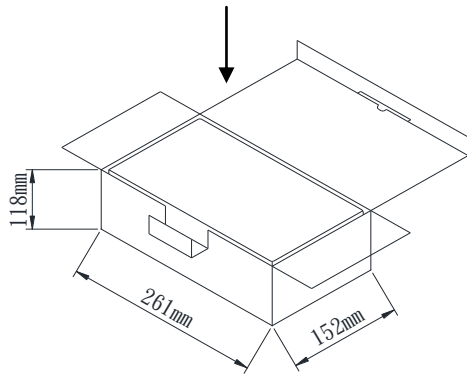


### New packaging rules

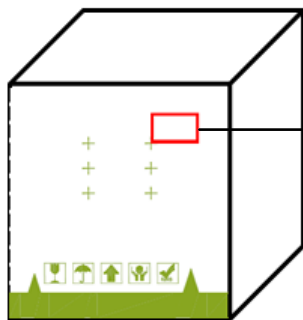
WLP.2450.25.4.A.02



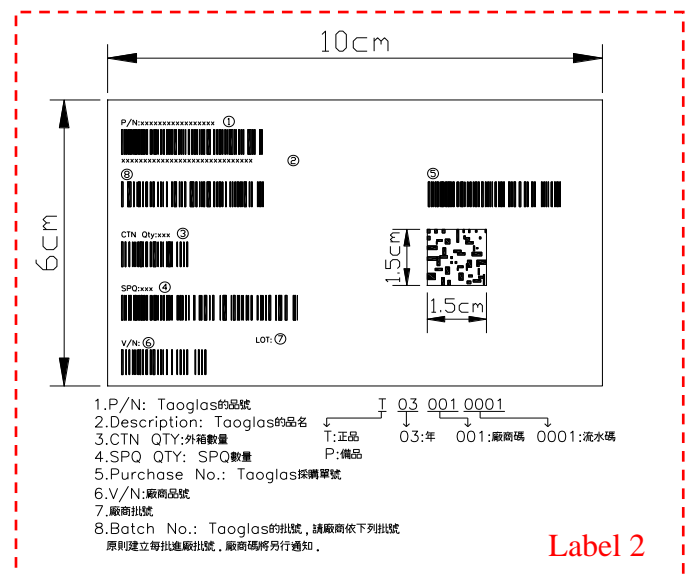
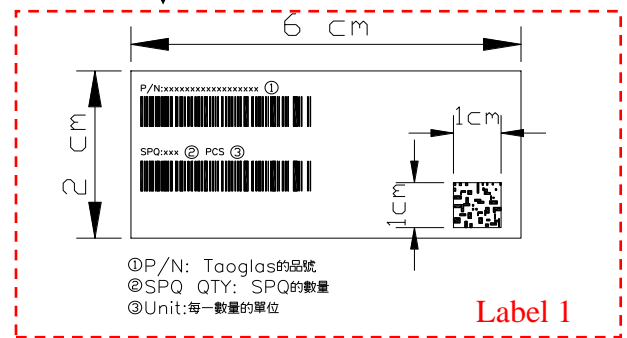
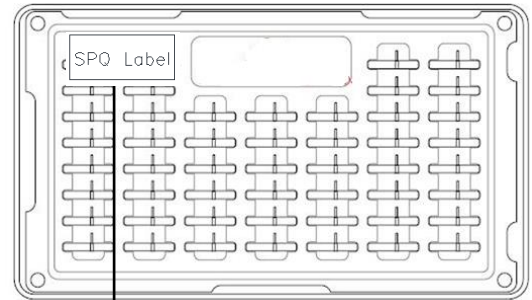
200PCS on tray and  
Into per small box



4 small boxes



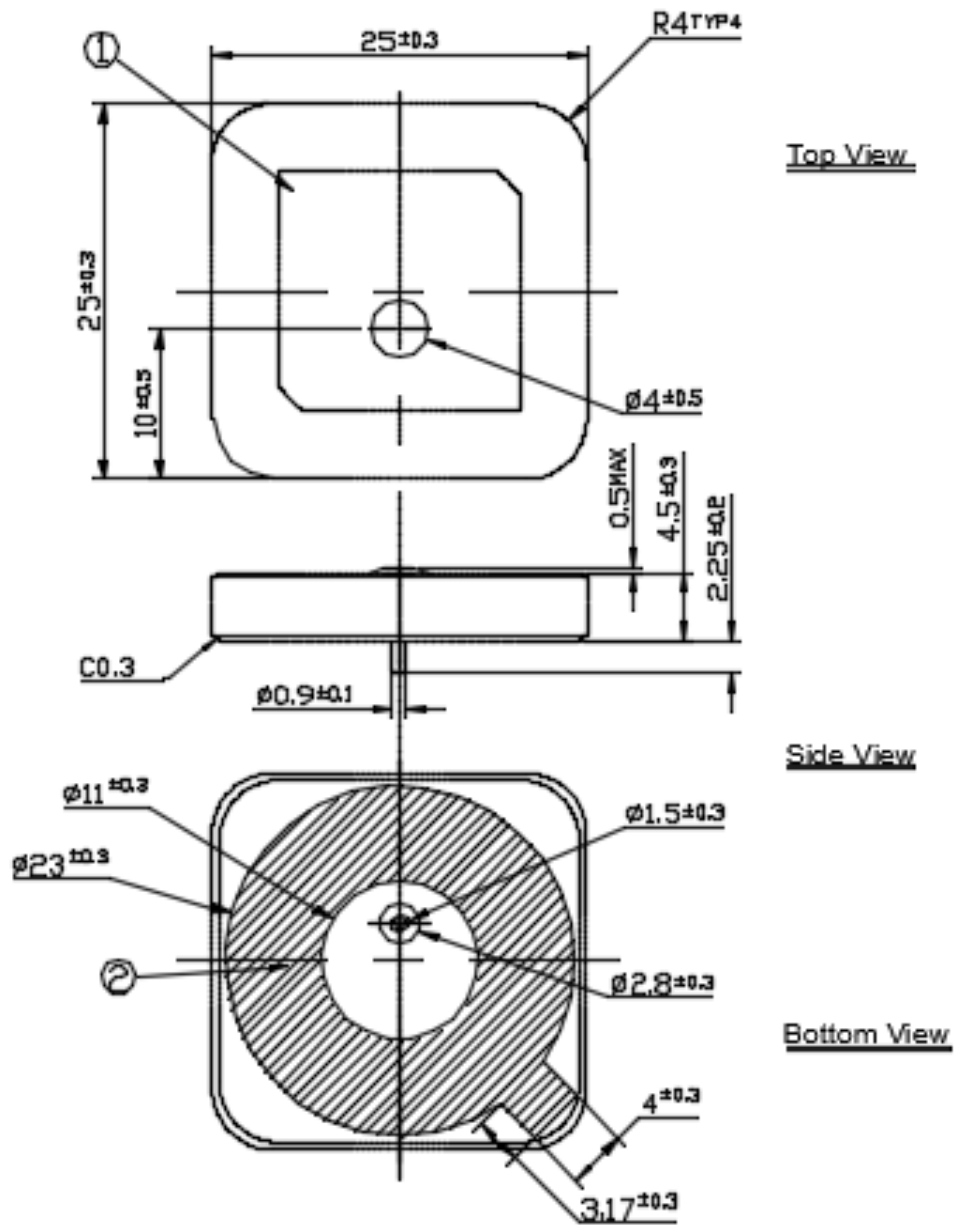
800 PCS per big carton  
330\*280\*270mm



- 1.P/N: Taoglas的品號
  - 2.Description: Taoglas的品名
  - 3.CTN QTY:外箱數量
  - 4.SPQ QTY: SPQ數量
  - 5.Purchase No.: Taoglas採購單號
  - 6.V/N:廠商品號
  - 7.廠商批號
  - 8.Batch No.: Taoglas的批號, 請廠商依下列批號原則建立每批進廠批號, 廠商碼將另行通知。
- T: 正品  
P: 備品
- I 03 001 0001  
03:年 001:廠商碼 0001:流水碼

**Illustration of Change**

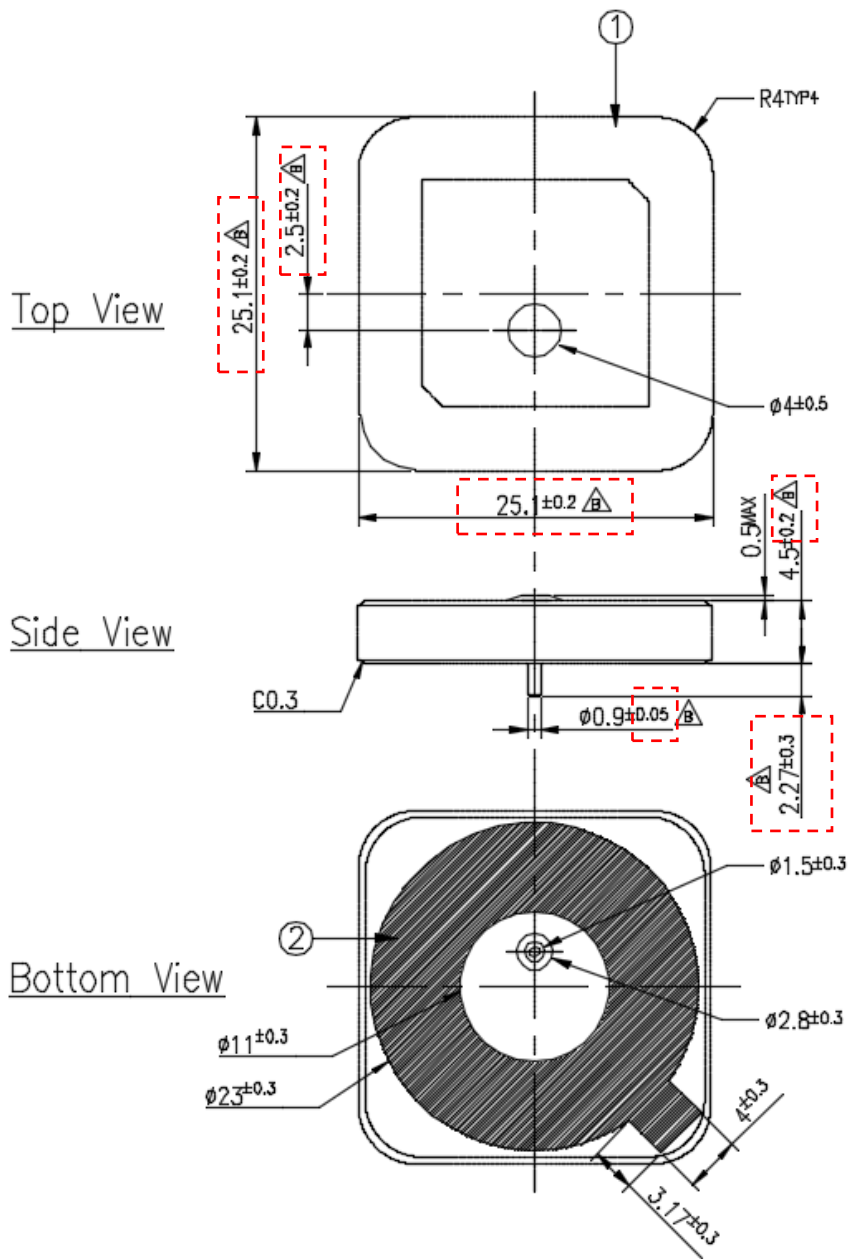
**Old Part No. BOM & Patch Size & Length of Pin**




	Name	Material	Finish	QTY
1	WLP.2450 Patch 25x25x4	Ceramic	Clear	1
2	Double Sided Adhesive	NITTO 5015	White Liner	1

NOTE: 1. Double Sided Adhesive 

New Part No. BOM & Patch Size & Length Of Pin



NOTE:  
1. Double Sided Adhesive 

	Name	P/N	Material	Finish	QTY
1	WLP.2450 Patch (25x25x4.5mm)	001513B080007A	Ceramic	Clear	1
2	Double Sided Adhesive	001013C130007A	NITTO 5015	White Liner	1