

Product/Process Change Notice (PCN)



- Major change
- Minor change

PCN Number #: ConUSB_20150812

Product Affected: 62900416021

PCN Date: August 26th, 2015
 Effective Date: November 26th, 2015

Contact: Product Management

Tel: +49 7942 945-5001

Fax: +49 7942 945-5179

E-mail: PCN.eican@we-online.de

- Product Mark
- Date Code
- Packaging
- Others

Attachment: Yes No

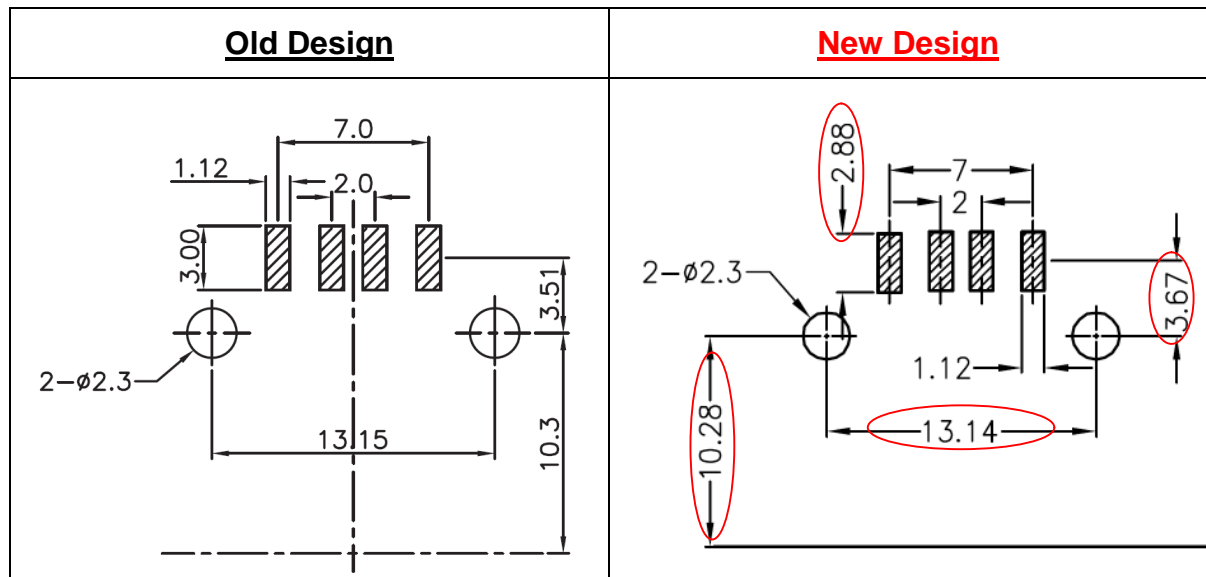
Samples: No

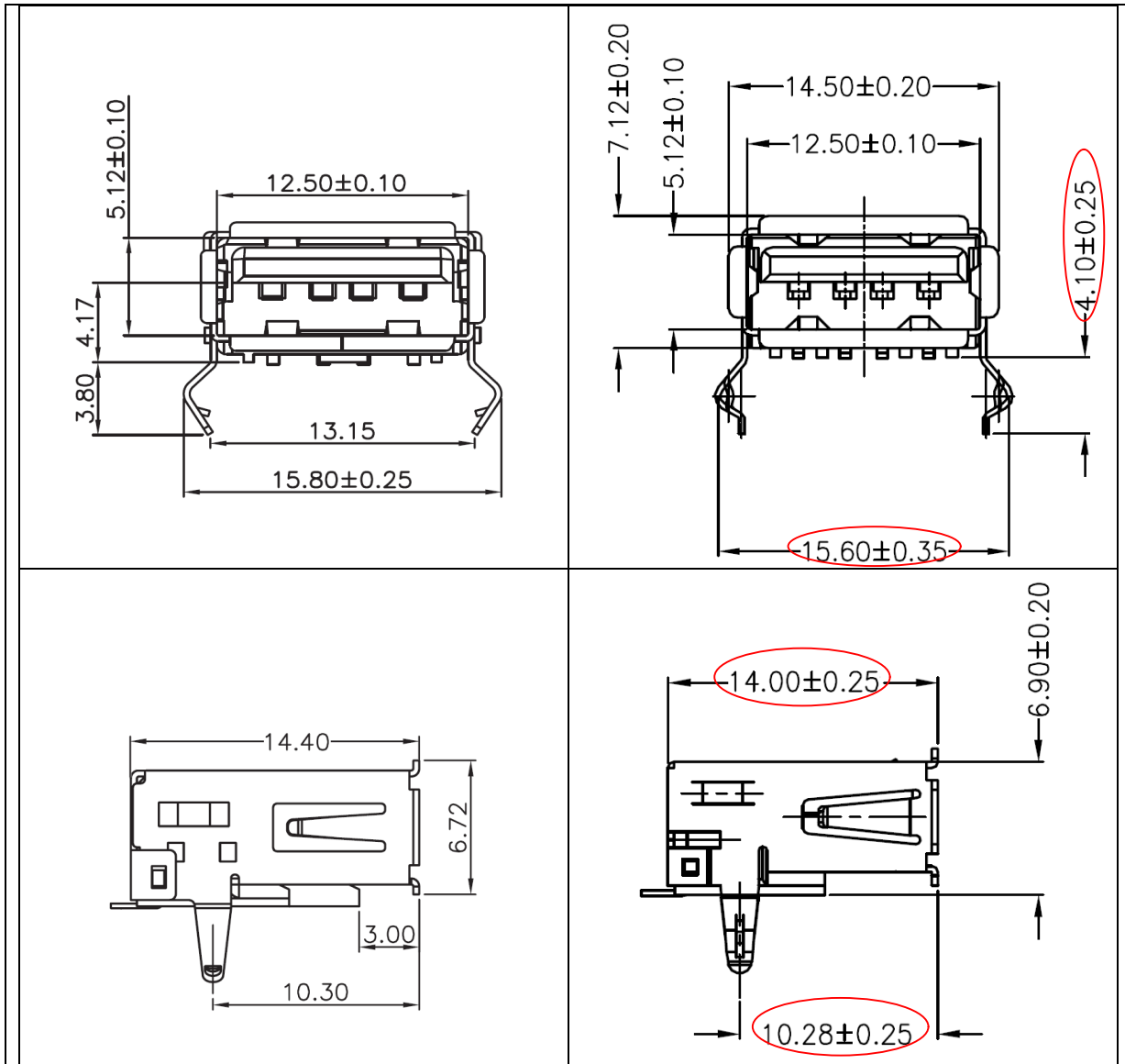
DESCRIPTION AND PURPOSE OF CHANGE:

- In order to enhance the product reliability, the production method will be changed and fully automated quality controlling machines will be implemented. There are design changes but the layout, electrical and mechanical properties remain the same.
- The packaging will be changed due to internal standardization.

DETAIL OF CHANGE:

- A fully automatized process will be implemented and CCD inspection controls will be added. The design changes can be found in the datasheet. They are summarized below and marked in red:





2. The tray dimension and the quantity per tray is changed.

<u>Old Packaging</u>			<u>New Packaging</u>		
<u>Tray dimension</u>	<u>Qty/Tray</u>	<u>Qty/Carton</u>	<u>Tray dimension</u>	<u>Qty/Tray</u>	<u>Qty/Carton</u>
320x230x13.8mm	120 pcs	2880 pcs	270x220x16mm	100 pcs	3600 pcs

RELIABILITY / QUALIFICATION SUMMARY:
N / A

DATA SHEET CHANGE:

Yes

No

Würth Elektronik France S.A.S

1861 Avenue Henri Schneider 69881 Meyzieu Cedex - France · Phone +33427861000 · Fax +33427861079

