

# Product/Process Change Notice (PCN)



- Major change
- Minor change

PCN #: PCN\_WE-STAR-TEC\_20151207\_74271132(S)\_Capacity Increase

Product Affected: 74271132, 74271132S

PCN Date: 07.12.2015  
Effective Date: 07.03.2016

- Product Mark
- Date Code
- Packaging
- Others

Contact: Product Management

Phone: +49 (0) 7942 - 945 5001

Fax: +49 (0) 7942 - 945 5179

E-mail: pcn.eisos@we-online.de

Attachment:  Yes  No

Samples:

## DESCRIPTION AND PURPOSE OF CHANGE:

In order to increase the production capability Würth Elektronik will implement another production line for the plastic housing.

Process approval is according to internal requirements released by the Quality Department and the Product Management Department.

## DETAIL OF CHANGE:

1. Neither electrical nor mechanical properties of the part will be changed.
2. The production lines can be identified by the three digits inside the plastic housing.

Already established production line of plastic housing:

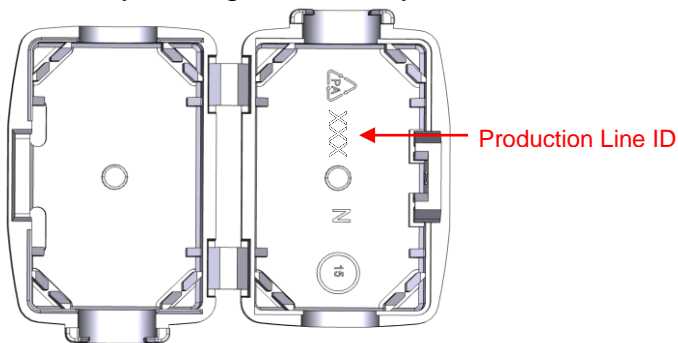
Digits: 128

Country of Origin: Germany

Additional production line of plastic housing:

Digits: 375

Country of Origin: Germany



3. Affected part numbers:

Snap Ferrite STAR-TEC:  
74271132, 74271132S

**RELIABILITY / QUALIFICATION SUMMARY:**

- WE Standard\_5023\_conditioning of polyamide components
- WE Standard\_5024\_drying of plastic housings

**DATA SHEET CHANGE:**

Yes

No

**Würth Elektronik eiSos GmbH & Co. KG**

D-74638 Waldenburg · Max-Eyth-Strasse 1-3 Germany · Telefon (+49) (0) 7942 - 945 - 0 Telefax (+49) (0) 7942 - 945 - 5000