

Product/Process Change Notice (PCN)



- Major change
 Minor change

PCN #: PCN_WE-STAR-
TEC_20151207_74271131(S)_Capacity Increase
Product Affected: 74271131, 74271131S, 742711319

- Product Mark
 Date Code
 Packaging
 Others

PCN Date: 07.12.2015
Effective Date: 07.03.2016

Contact: Product Management
Phone: +49 (0) 7942 - 945 5001
Fax: +49 (0) 7942 - 945 5179
E-mail: pcn.eisos@we-online.de

Attachment: Yes No

Samples:

DESCRIPTION AND PURPOSE OF CHANGE:

In order to increase the production capability Würth Elektronik will implement another production line for the plastic housing.
Process approval is according to internal requirements released by the Quality Department and the Product Management Department.

DETAIL OF CHANGE:

1. Neither electrical nor mechanical properties of the part will be changed.
2. The production lines can be identified by the three digits inside the plastic housing.

Already established production line of plastic housing:

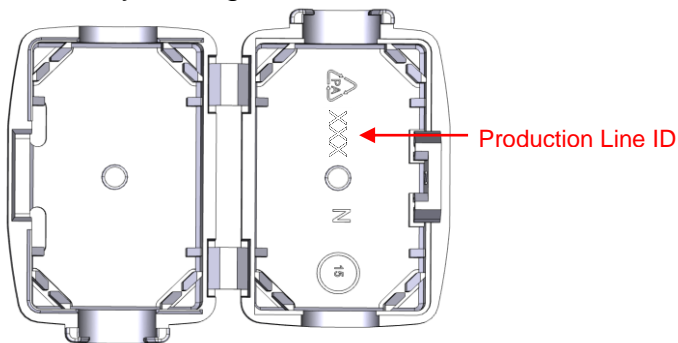
Digits: 128

Country of Origin: Germany

Additional production line of plastic housing:

Digits: 312

Country of Origin: Austria



3. Affected part numbers:

Snap Ferrite STAR-TEC:

74271131, 74271131S, 742711319

RELIABILITY / QUALIFICATION SUMMARY:

- WE Standard_5023_conditioning of polyamide components
- WE Standard_5024_drying of plastic housings

DATA SHEET CHANGE:

Yes

No

Würth Elektronik eiSos GmbH & Co. KG

D-74638 Waldenburg · Max-Eyth-Strasse 1-3 Germany · Telefon (+49) (0) 7942 - 945 - 0 Telefax (+49) (0) 7942 - 945 - 5000